

CITY OF LOS ANGELES
CALIFORNIA

**BOARD OF
BUILDING AND SAFETY
COMMISSIONERS**

JAVIER NUNEZ
PRESIDENT

ELVIN W. MOON
VICE PRESIDENT

JOSELYN GEAGA-ROSENTHAL
GEORGE HOVAGUIMIAN
LAUREL GILLETTE



ERIC GARCETTI
MAYOR

**DEPARTMENT OF
BUILDING AND SAFETY**
201 NORTH FIGUEROA STREET
LOS ANGELES, CA 90012

OSAMA YOUNAN, P.E.
GENERAL MANAGER
SUPERINTENDENT OF BUILDING

JOHN WEIGHT
EXECUTIVE OFFICER

Tile Tech, Inc.
4730 E. 26th Street
Vernon, CA 90058

Attn: Ronnie Tabibnia
(213) 380-5560 ext. 701

RESEARCH REPORT: RR 25746
(CSI #10270)

Expires: January 1, 2024
Issued Date: March 1, 2022
Code: 2020 LABC

GENERAL APPROVAL –Renewal and Clerical Modification - Tile Tech Pavers
Pedestal System and IPÊ Wood Tile on Hybrid Pedestals.

DETAILS

Tile Tech Concrete system is composed of 20 inch by 20 inch by 2 inch thick hydraulically pressed concrete pavers supported by an adjustable pedestal system.

Tile Tech Concrete Pavers are a modified concrete tile composed of crushed granite, cement and sand hydraulically pressed to produce a high psi strength paver.

Tile Tech Porcelain Pavers are composed of 24 inch by 24 inch by 3/4 inch thick porcelain designed for use in conjunction with raised pedestals and deck support systems.

Tile Tech Pedestal is composed of a uni-base, cap, insert, collar, shims and buffer pad.

Tile Tech Hex-Tray is composed of a honeycomb structural tray system, used for additional support for heights above 12” for use with Porcelain Pavers.

The components of the Tile Tech Pedestals have been tested in accordance with UBC Standards for plastic materials classification and classified as CC1.

IPÊ wood tiles are constructed from kiln dried 1x3 IPÊ wood face slats secured to 3 IPÊ wood support runners (battens) using corrosion resistant stainless steel screws. The IPÊ wood tiles are available in the following dimensions: 20” x 20” x 1-1/2”, 24” x 24” x 1-5/8” and 24” x 48” x 1-5/8” (Custom Size).

RR 25746
Page 1 of 4

Tile Tech Pavers
Re: Tile Tech Pavers Pedestal System

Tile Tech IPÊ wood tiles have a flame spread index and smoke developed index of 20 and 400 respectively when tested in accordance with ASTM E84.

The IPÊ wood tiles meet the requirements for a “Class A” flame spread requirements when tested in accordance with ASTM E108.

The approval is subject to the following conditions:

1. The Tile Tech IPÊ wood tiles shall be installed only in areas where combustible materials are permitted by the 2020 Los Angeles Building Code.
2. The seismic stability shall be provided by detailed confinement details of the boundary of the Tile Tech Pavers System. Roof plans and confinement details shall be prepared by a CA licensed engineer or architect and submitted to structural plan check for review and approval.
3. The height of the pedestal shall be limited to maximum 54". For pedestal heights greater than 24" the use of the lateral bracing is required per the attached detail.
4. Structural observation shall be provided for the confinement of the boundary construction.
5. The materials delivered to the job site shall be identified by the manufacturer's name (Tile Tech, Inc.), the component name, RR 25746, and the name of the quality control agency.
6. The installation shall be in accordance with Tile Tech Pavers' installation manual and this report. A copy of the installation manual shall be provided on the job site.

DISCUSSION

The clerical modification is to capture compliance with the 2020 Los Angeles Building Code.

The report is in compliance with the 2020 Los Angeles Building Code.

The approval is based on tests. Test data is on file with the Building Research Section.

Addressee to whom this Research Report is issued is responsible for providing copies of it, complete with any attachments indicated, to architects, engineers and builders using items approved herein in design or construction which must be approved by Department of Building and Safety Engineers and Inspectors.

RR 25746
Page 2 of 3

Tile Tech Pavers
Re: Tile Tech Pavers Pedestal System

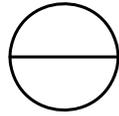
This general approval of an equivalent alternate to the Code is only valid where an engineer and/or inspector of this Department has determined that all conditions of this Approval have been met in the project in which it is to be used.

EUGENE BARBEAU, Chief
Engineering Research Section
201 N. Figueroa St., Room 880
Los Angeles, CA 90012
Phone - 213-202-9812
Email – engineering-research@lacity.org

EB
RR25746
TLB2200033
R02/24/2022
104.2.6

Attachment: Tile Tech Lateral Bracing System Detail (1 Page).

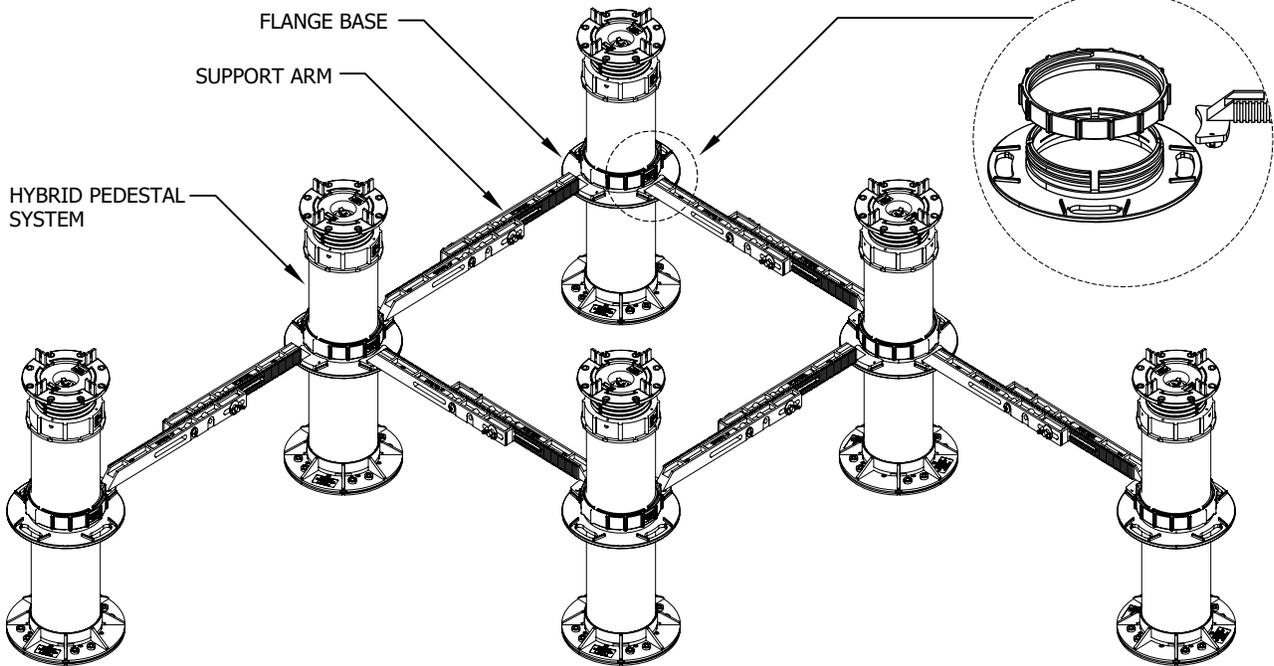
RR 25746
Page 3 of 3



LATERAL BRACING SUPPORT SYSTEM

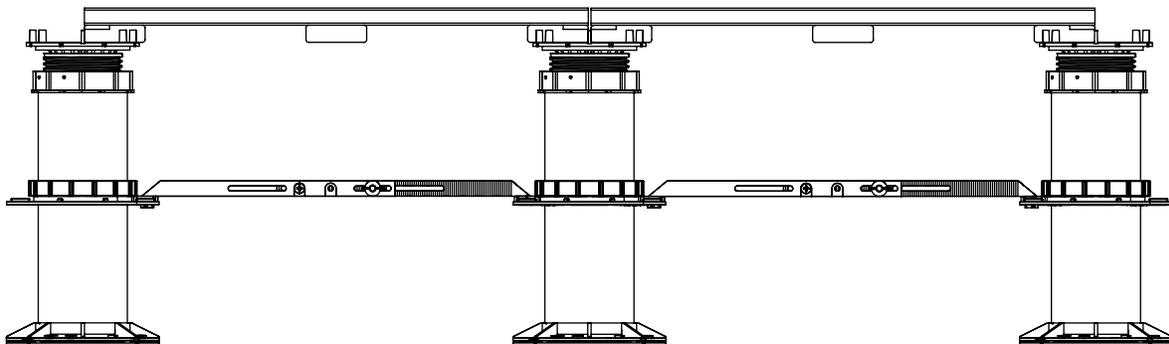
TRANSITION, ALIGNMENT & LOCK DOWN DETAILS

National Distribution Tel: 213-380-5560
Toll Free: 888-380-5575 Fax: 213-380-5561



Patent Pending

LATERAL BRACING SYSTEM - PROFILE VIEW



GENERAL NOTES: APPLY TO ALL OF THE ABOVE PRODUCTS

1. INSTALLATION MUST BE COMPLETED IN ACCORDANCE WITH TILE TECH PAVERS PRODUCT SPECIFICATIONS.
2. DRAWING NOT TO SCALE.
3. USE OF BUFFER PADS IS MANDATORY.
4. CONTRACTOR'S NOTE: FOR PRODUCT AND COMPANY INFORMATION VISIT www.TILETECHPAVERS.com