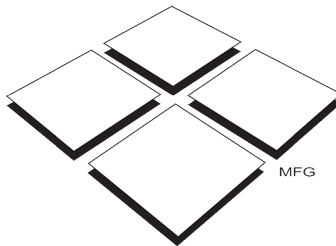
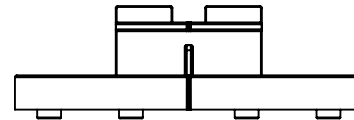
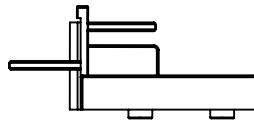
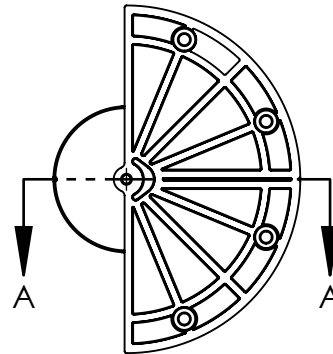
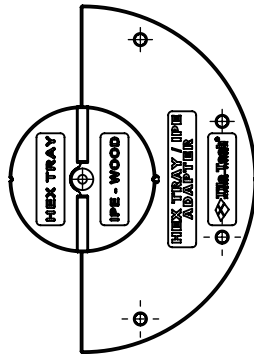
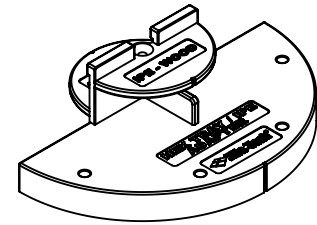


SECTION A-A



Tile Tech™
PAVER SYSTEM

PROPRIETARY AND CONFIDENTIAL
INFORMATION CONTAINED IN THIS DRAWING IS THE SOLE PROPERTY OF:
Tile Tech Inc.
ANY REPRODUCTION IN PART OR AS A WHOLE WITHOUT THE WRITTEN PERMISSION OF:
Tile Tech Inc. - STRICTLY PROHIBITED

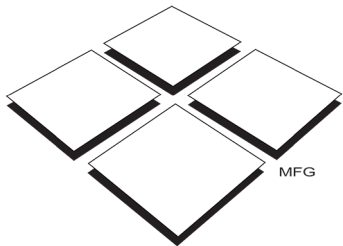
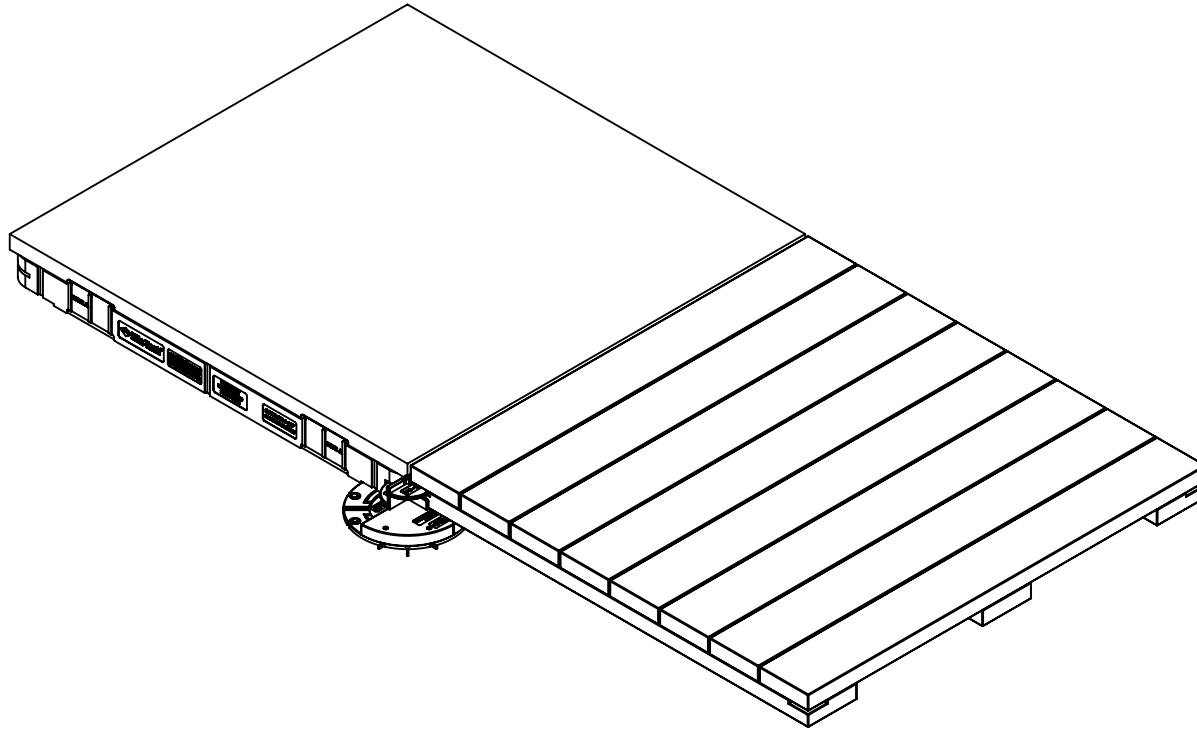
		UNLESS OTHERWISE SPECIFIED:		NAME	DATE
		DIMENSIONS ARE IN INCHES	DRAWN	Ronnie Tabibnia	05/13/21
		TOLERANCES:	CHECKED		
		FRACTIONAL ± 1/64	ENG APPR.		
		ANGULAR: MACH ± .5 BEND ± .05	MFG APPR.		
		TWO PLACE DECIMAL ± .02	Q.A.		
		THREE PLACE DECIMAL ± .005	COMMENTS:		
		INTERPRET GEOMETRIC TOLERANCING PER:			
		MATERIAL			
		FINISH			
NEXT ASSY	USED ON				
APPLICATION		DO NOT SCALE DRAWING			

Tile Tech Inc

TITLE:
**HEX TRAY
TILE / IPE ADAPTER**

SIZE A	DWG. NO.	REV
------------------	----------	-----

SCALE: 1:3	WEIGHT:	SHEET 1 OF 1
------------	---------	--------------



Tile Tech™
▲ P A V E R S Y S T E M ▲

PROPRIETARY AND CONFIDENTIAL
INFORMATION CONTAINED IN THIS DRAWING IS THE SOLE PROPERTY OF:
Tile Tech Inc.
ANY REPRODUCTION IN PART OR AS A WHOLE WITHOUT THE WRITTEN PERMISSION OF:
Tile Tech Inc - STRICTLY PROHIBITED

		UNLESS OTHERWISE SPECIFIED:		NAME	DATE	Tile Tech Inc		
		DIMENSIONS ARE IN INCHES	DRAWN	Ronnie Tabibnia	05/13/21	TITLE:		
		TOLERANCES:	CHECKED					
		FRACTIONAL ± 1/64	ENG APPR.					
		ANGULAR: MACH ± .5 BEND ± .05	MFG APPR.					
		TWO PLACE DECIMAL ± .02	Q.A.					
		THREE PLACE DECIMAL ± .005	COMMENTS:					
		INTERPRET GEOMETRIC TOLERANCING PER:				SIZE	DWG. NO.	REV
		MATERIAL				A		
NEXT ASSY	USED ON	FINISH				SCALE: 1:8	WEIGHT:	SHEET 1 OF 1
APPLICATION		DO NOT SCALE DRAWING						

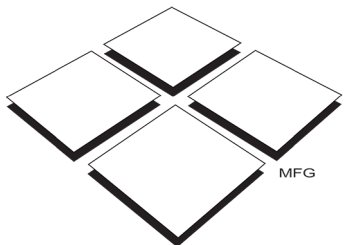
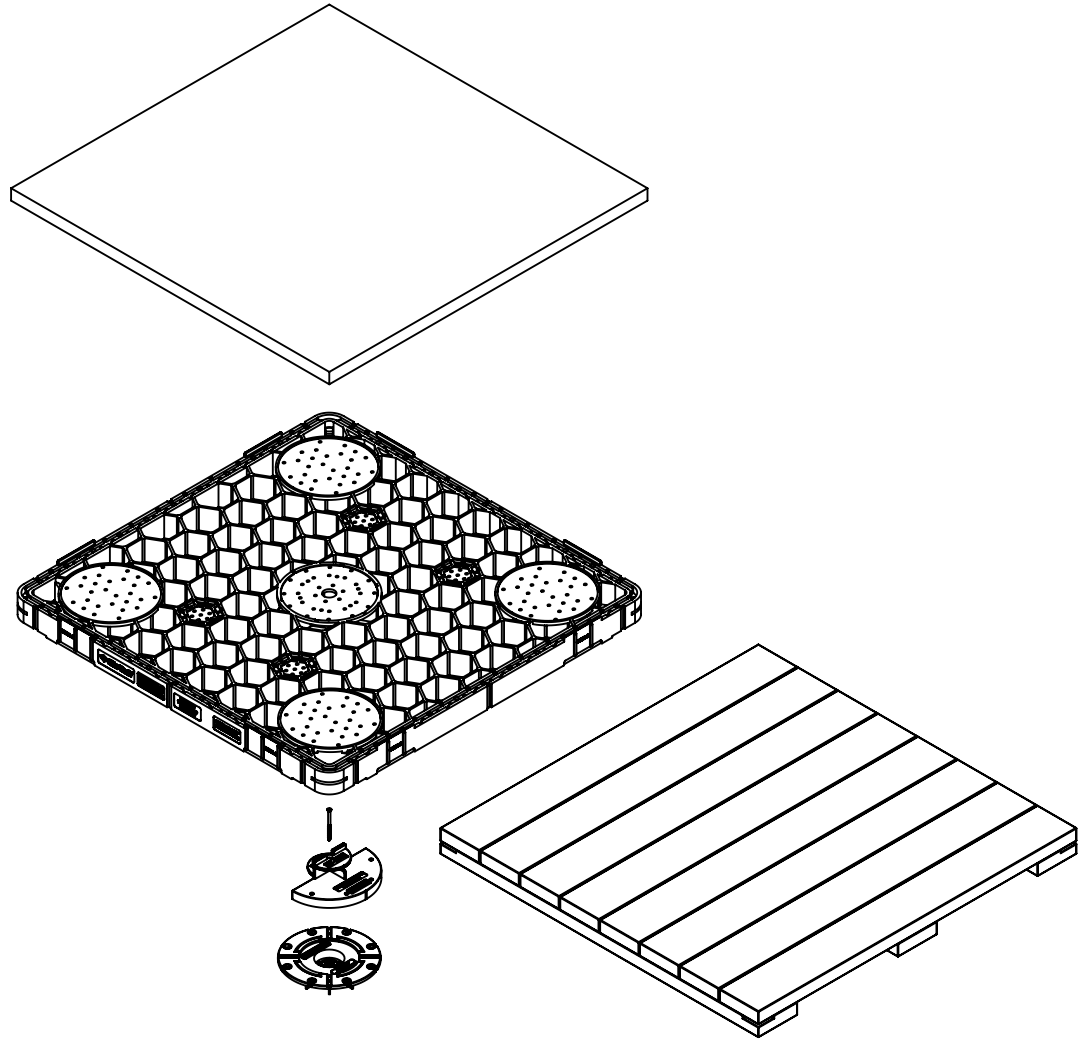
5

4

3

2

1



Tile TechTM
 ▲ P A V E R S Y S T E M ▲

PROPRIETARY AND CONFIDENTIAL
 INFORMATION CONTAINED IN THIS DRAWING IS THE SOLE PROPERTY OF:
Tile Tech Inc.
 ANY REPRODUCTION IN PART OR AS A WHOLE WITHOUT THE WRITTEN PERMISSION OF:
Tile Tech Inc - STRICTLY PROHIBITED

		UNLESS OTHERWISE SPECIFIED:		NAME	DATE	Tile Tech Inc		
		DIMENSIONS ARE IN INCHES	DRAWN	Ronnie Tabibnia	05/13/21	TITLE:		
		TOLERANCES:	CHECKED					
		FRACTIONAL ± 1/64	ENG APPR.					
		ANGULAR: MACH ± .5 BEND ± .05	MFG APPR.					
		TWO PLACE DECIMAL ± .02	Q.A.					
		THREE PLACE DECIMAL ± .005	COMMENTS:					
		INTERPRET GEOMETRIC TOLERANCING PER:				SIZE	DWG. NO.	REV
		MATERIAL				A		
NEXT ASSY	USED ON	FINISH				SCALE: 1:10	WEIGHT:	SHEET 1 OF 1
APPLICATION		DO NOT SCALE DRAWING						

