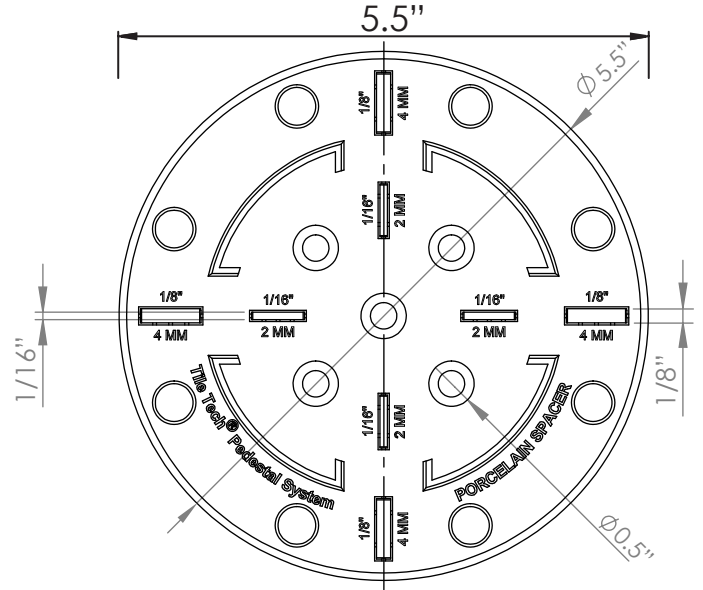
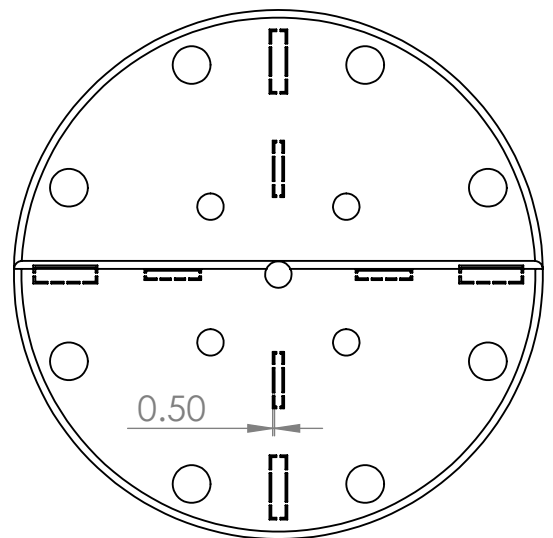
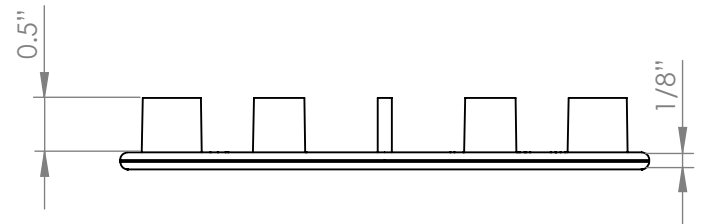


National Distribution Tel: 213-380-5560
 Toll Free: 888-380-5575 Fax: 213-380-5561

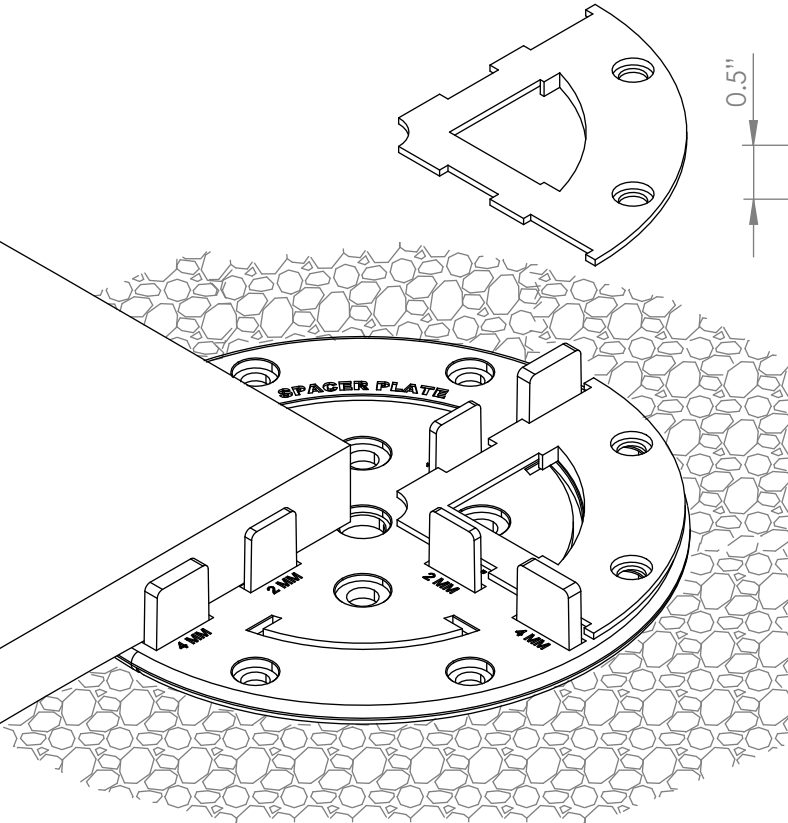
TILE TECH'S SPACER-PLATE™ ARE DESIGNED TO BE USED WITH OUR PORCELAIN PAVERS TO QUICKLY AND EFFECTIVELY INSTALL OVER SAND OR GRAVEL RESULTING IN MAXIMUM STABILITY, PRECISE AND LEVEL SPACING OF THE PAVERS. THE SPACER-PLATE IS AN EXTREMELY SIMPLE BUT VERSATILE COMPONENT WITH A LARGE 5.5" DIAMETER SURFACE AREA FOR ADDED STABILITY OVER SAND & GRAVEL. BUILT-IN 1/16" OR 1/16" PERFORATED SPACERS FOR UNIFORM JOINT SPACING BETWEEN PAVERS, IN ADDITION TO 1/16" OR 1/16" SHIMMING FEATURES FOR VERTICAL LEVELING OF PAVERS (NO NEED FOR HAND FULL OF SAND!). THE DISK CAN BE CUT INTO EITHER A HALF OR A QUARTER-UNIT (USING AN UTILITY KNIFE) TO BE USED ALONG THE EDGE OF WALLS.



TOP SIDE



BOTTOM SIDE



GENERAL NOTES: APPLY TO ALL OF THE ABOVE PRODUCTS

1. INSTALLATION MUST BE COMPLETED IN ACCORDANCE WITH TILE TECH PAVERS PRODUCT SPECIFICATIONS.
2. DRAWING NOT TO SCALE.
3. CONTRACTOR'S NOTE: FOR PRODUCT AND COMPANY INFORMATION VISIT www.TILETECHPAVERS.com