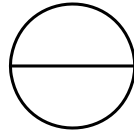


Tile Tech Inc.
Paving America one step at a time!



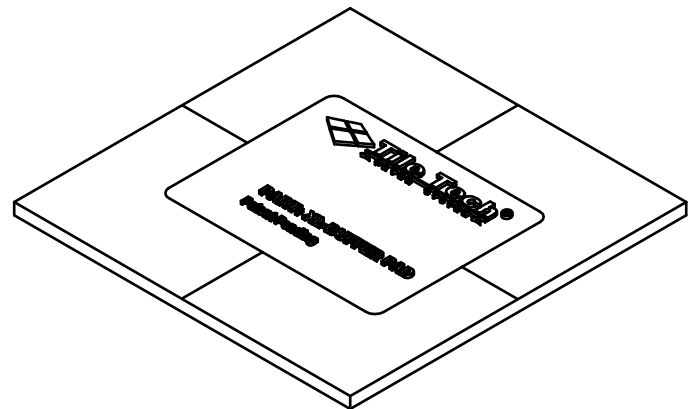
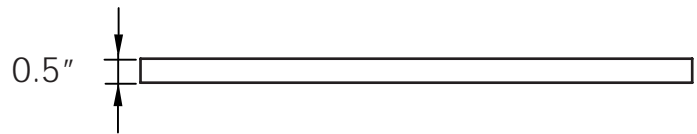
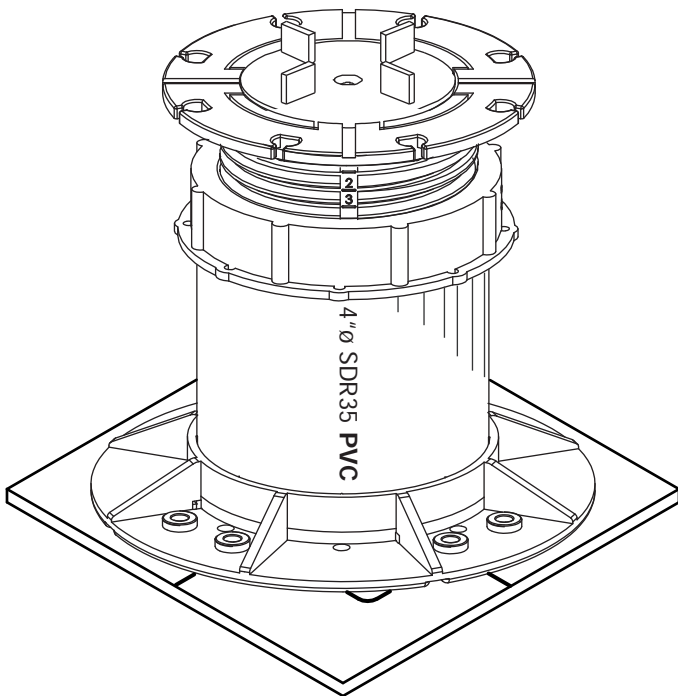
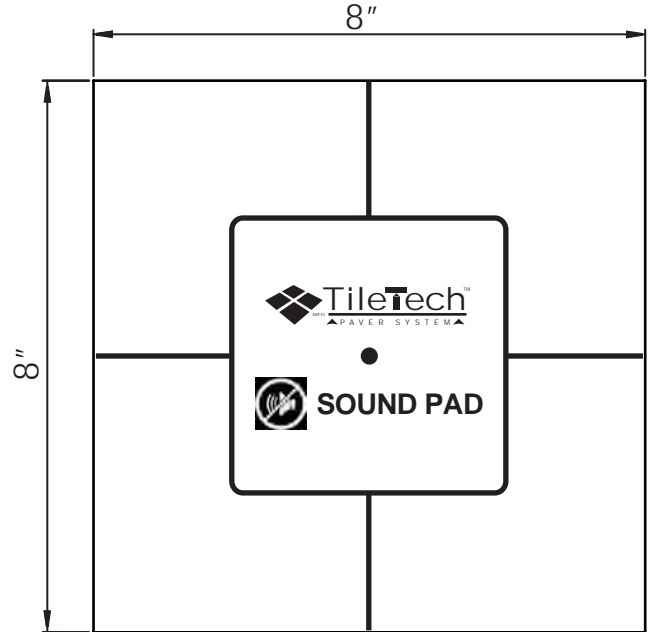
SOUND-PAD™ & PEDESTAL APPLICATION

SOUND PAD DETAILS

National Distribution
Toll Free: 888-380-5575

Tel: 213-380-5560
Fax: 213-380-5561

THE TILE TECH ENGINEERED RECYCLED RUBBER SOUND-PAD™ USED DIRECTLY UNDER OUR ADJUSTABLE PEDESTALS SYSTEMS AND ON TOP OF THE WATERPROOFING MEMBRANE YIELDING EXCEPTIONAL IMPACT / SHOCK RESISTANT & SOUND / VIBRATION INSULATION RESULTS, EVEN UNDER HARD SURFACE FLOORING FOR CONCRETE OR WOOD-FRAMED CONSTRUCTION. TILE TECH SOUND PAD IS COMPOSED OF 92% RECYCLED RUBBER AND COMES IN 8 INCH BY 8 INCH BY 0.50 INCH THICK SPECIFICALLY DESIGNED FOR UNDER THE HYBRID PEDESTALS SYSTEMS AND ARE COMPATIBLE WITH MOST SYNTHETIC EPDM AND PVC ADHESIVES APPROVED BY ROOFING MEMBRANE MFG.



GENERAL NOTES: APPLY TO ALL OF THE ABOVE PRODUCTS

1. INSTALLATION MUST BE COMPLETED IN ACCORDANCE WITH TILE TECH PAVERS PRODUCT SPECIFICATIONS.
2. DRAWING NOT TO SCALE.
3. USE OF BUFFER PADS IS MANDATORY.
4. CONTRACTOR'S NOTE: FOR PRODUCT AND COMPANY INFORMATION VISIT www.TILETECHPAVERS.com