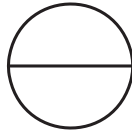




Tile Tech Inc.
Paving America one step at a time!

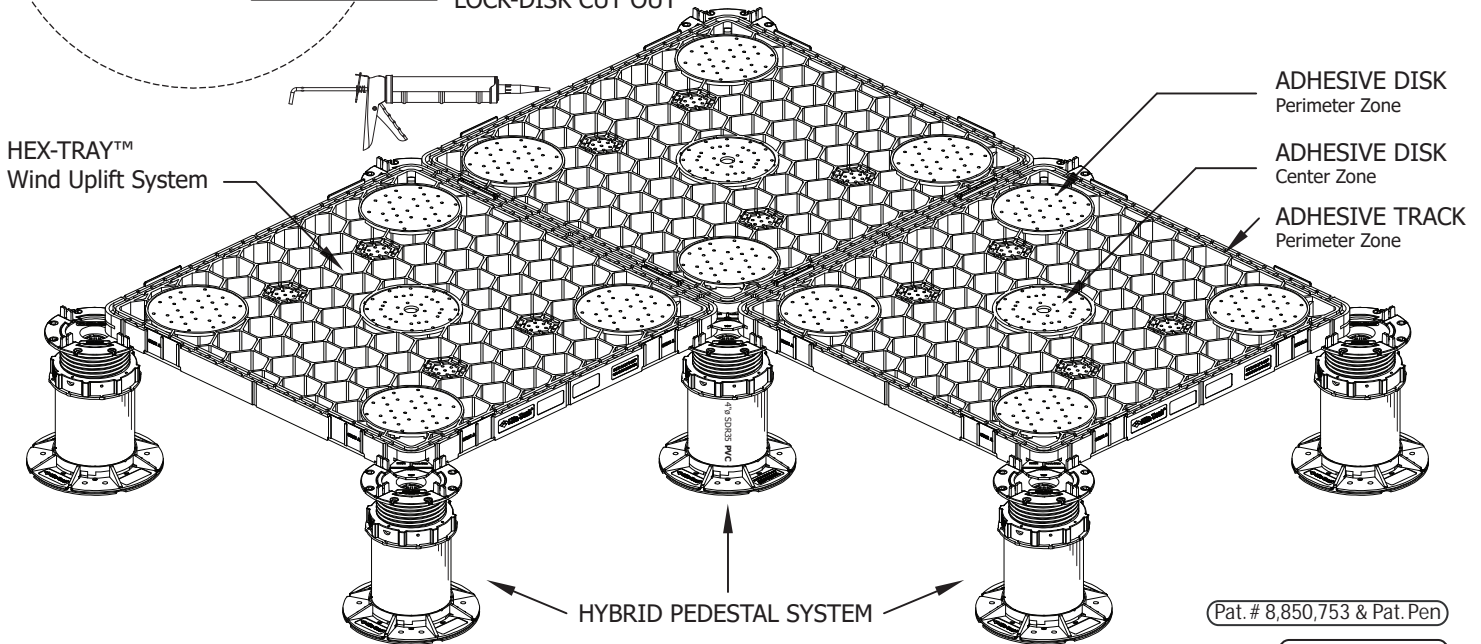
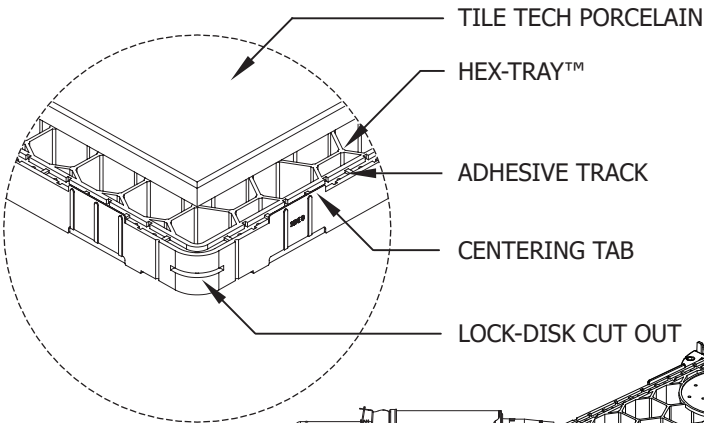


HEX-TRAY™ WIND UPLIFT SYSTEM

PAVER WIND-UPLIFT SYSTEM DETAILS. PLAN AND PROFILE VIEW

National Distribution Tel: 213-380-5560
Toll Free: 888-380-5575 Fax: 213-380-5561

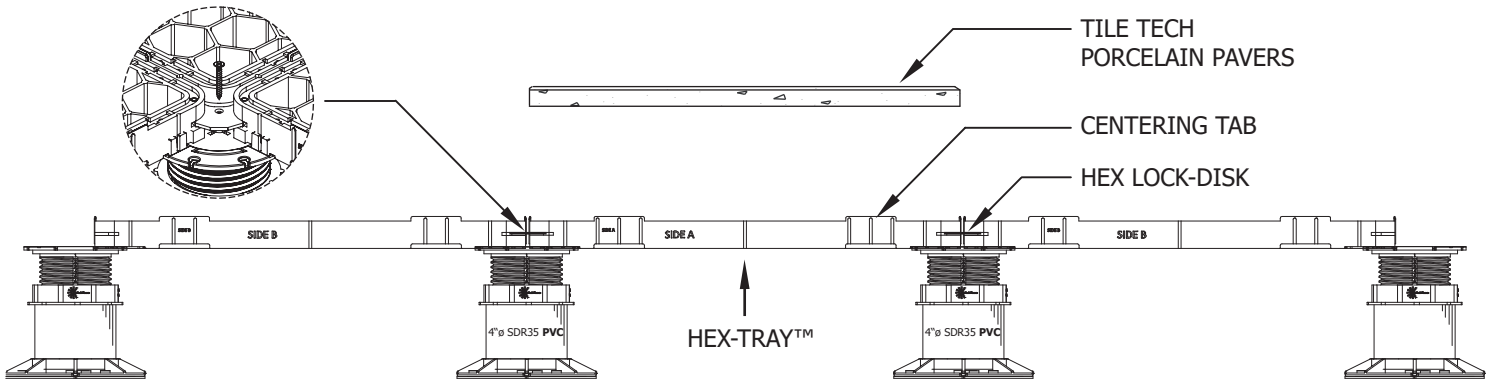
HEX-TRAY™ WIND UPLIFT SYSTEM COMPONENTS INCLUDES A HONEYCOMB STRUCTURAL TRAY WITH 3 ADHESIVE TRACK; PERIMETER, CENTER AND AUXILIARY ZONES. A HEX LOCK DISK, HEX 2MM SPACER TABS AND USER SUPPLIED 1-1/2" BLACK RUST PROOF SCREWS IN ADDITION TO CHEM-LINK™ M1 ROOFING ADHESIVE. PRE ASSEMBLE AND ADHERE THE PORCELAIN PAVERS TO THE HEX-TRAY™ USING CHEM-LINK™ M1 APPLIED TO THE ADHESIVE TRACK ON THE HEX-TRAY. THE PERIMETER ZONE IS THE MOST COMMON ADHESIVE TRACK. POSITION AND LEVEL HYBRID PEDESTAL SYSTEM ON TO GRID / CHALK LINES AND PLACE ASSEMBLED HEX-TRAY™ ON TO PEDESTAL SYSTEM. LEVEL & SECURE FOUR ADJACENT CORNERS TO PEDESTAL SYSTEM USING HEX-LOCK DISK AND SECURE WITH DECK SCREW. AT TERMINATION POINTS AND WALLS, THE HEX-TRAY CAN BE CUT TO MATCH THE CUT PORCELAIN PAVERS.



Pat. # 8,850,753 & Pat. Pen

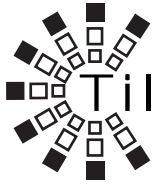
Patent Pending

HEX-TRAY™ WIND UPLIFT - PROFILE VIEW

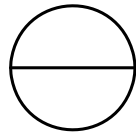


GENERAL NOTES: APPLY TO ALL OF THE ABOVE PRODUCTS

1. INSTALLATION MUST BE COMPLETED IN ACCORDANCE WITH TILE TECH INC PRODUCT SPECIFICATIONS.
2. DRAWING NOT TO SCALE.
3. USE OF BUFFER PADS IS MANDATORY.
4. CONTRACTOR'S NOTE: FOR PRODUCT AND COMPANY INFORMATION VISIT www.TILETECHPAVERS.com



Tile Tech Inc.
Paving America one step at a time!



HEX-TRAY: PERFERATED LOCK DISK

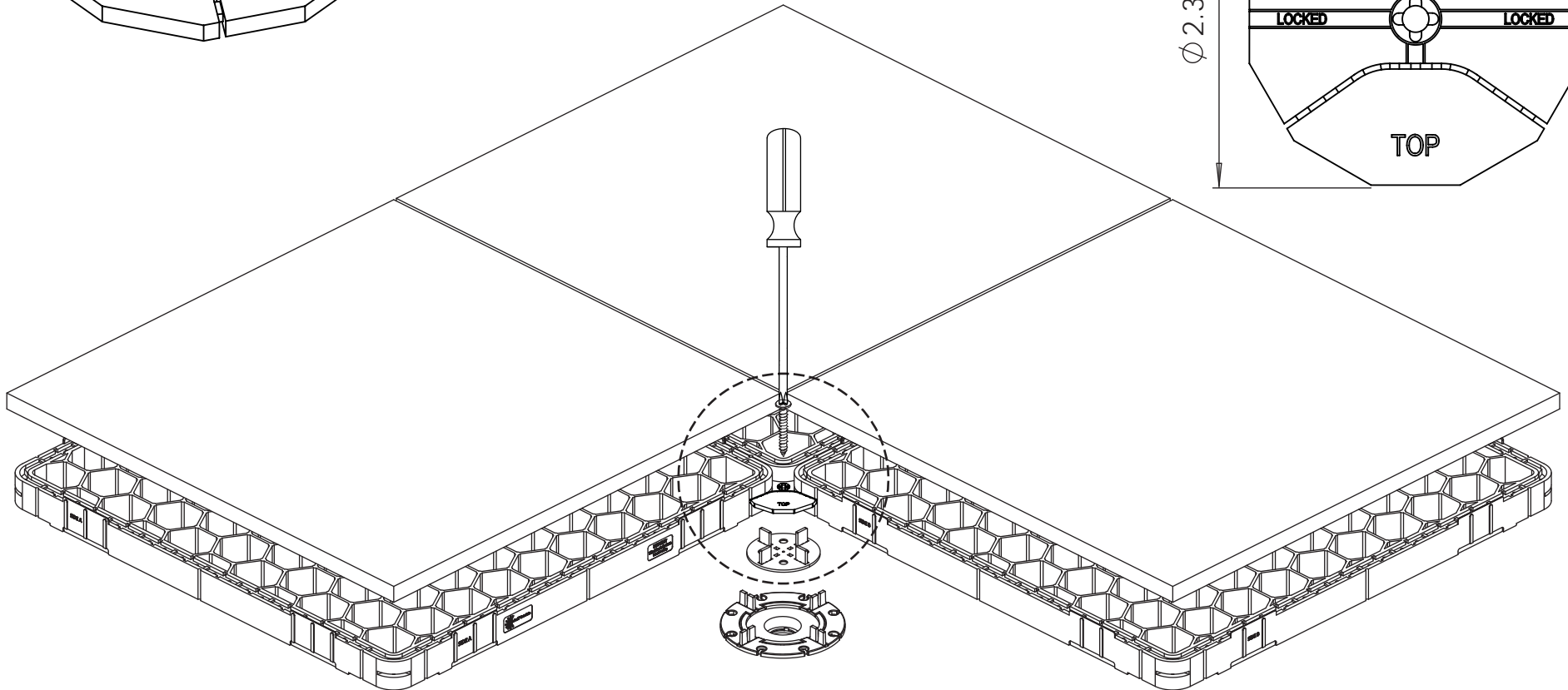
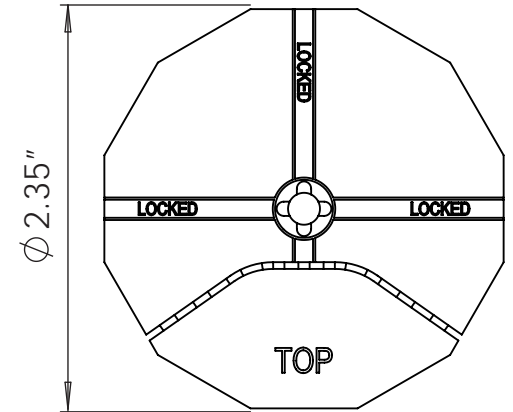
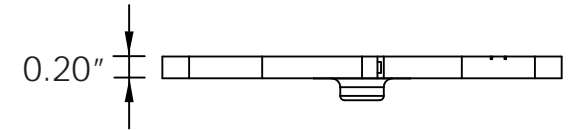
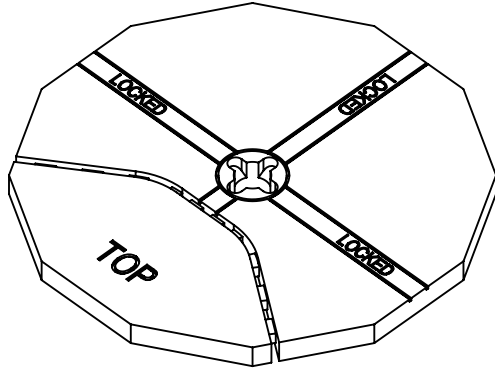
PERFERATED LOCK-DISK / WASHER DETAILS

National Distribution

Tel: 213-380-5560

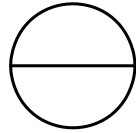
Toll Free: 888-380-5575

Fax: 213-380-5561





Tile Tech Inc.
Paving America one step at a time!



HEX-TRAY: JOINT CROSS PEG

JOINT SPACING DETAILS

National Distribution
Toll Free: 888-380-5575

Tel: 213-380-5560
Fax: 213-380-5561

