

Tile TechTM
PAVER SYSTEM

PROPRIETARY AND CONFIDENTIAL
INFORMATION CONTAINED IN THIS DRAWING IS THE SOLE PROPERTY OF:
Tile Tech Inc.
ANY REPRODUCTION IN PART OR AS A WHOLE WITHOUT THE WRITTEN PERMISSION OF:
Tile Tech Inc - STRICTLY PROHIBITED

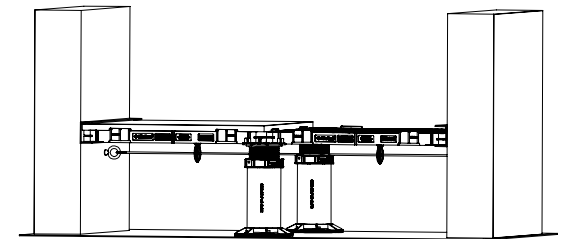
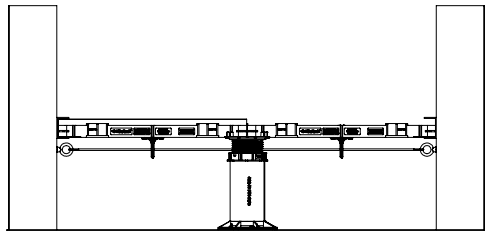
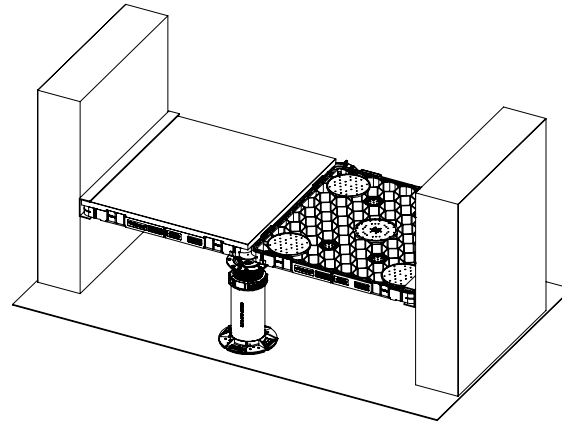
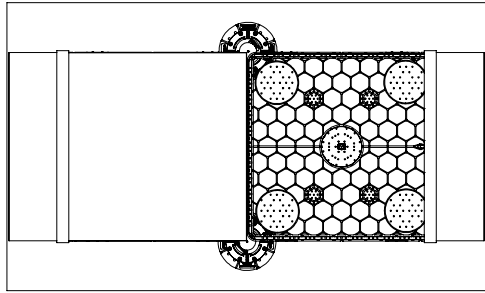
		UNLESS OTHERWISE SPECIFIED:	NAME	DATE
		DIMENSIONS ARE IN INCHES TOLERANCES: FRACTIONAL $\pm 1/64$ ANGULAR: MACH $\pm .5$ BEND $\pm .05$ TWO PLACE DECIMAL $\pm .02$ THREE PLACE DECIMAL $\pm .005$	DRAWN	Ronnie Tabibnia 05/13/21
			CHECKED	
			ENG APPR.	
			MFG APPR.	
		INTERPRET GEOMETRIC TOLERANCING PER:	Q.A.	
		MATERIAL	COMMENTS:	
		FINISH		
NEXT ASSY	USED ON			
APPLICATION		DO NOT SCALE DRAWING		

Tile Tech Inc

TITLE: ALUMINUM HIDDEN CHANNEL LOCK

SIZE A	DWG. NO.	REV
------------------	----------	-----

SCALE: 1:14 WEIGHT: SHEET 1 OF 1



PROPRIETARY AND CONFIDENTIAL
 INFORMATION CONTAINED IN THIS DRAWING IS THE SOLE PROPERTY OF:
Tile Tech Inc.
 ANY REPRODUCTION IN PART OR AS A WHOLE WITHOUT THE WRITTEN PERMISSION OF:
Tile Tech Inc - STRICTLY PROHIBITED

		UNLESS OTHERWISE SPECIFIED:		NAME	DATE
		DIMENSIONS ARE IN INCHES	DRAWN	Ronnie Tabibnia	05/13/21
		TOLERANCES:	CHECKED		
		FRACTIONAL $\pm 1/64$	ENG APPR.		
		ANGULAR: MACH $\pm .5$ BEND $\pm .05$	MFG APPR.		
		TWO PLACE DECIMAL $\pm .02$	Q.A.		
		THREE PLACE DECIMAL $\pm .005$	COMMENTS:		
		INTERPRET GEOMETRIC TOLERANCING PER:			
		MATERIAL			
NEXT ASSY	USED ON	FINISH			
APPLICATION		DO NOT SCALE DRAWING			

Tile Tech Inc

TITLE:

SIZE	DWG. NO.	REV
A		
SCALE: 1:24	WEIGHT:	SHEET 1 OF 1

