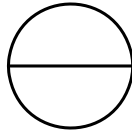




Tile Tech Inc.
Paving America one step at a time!

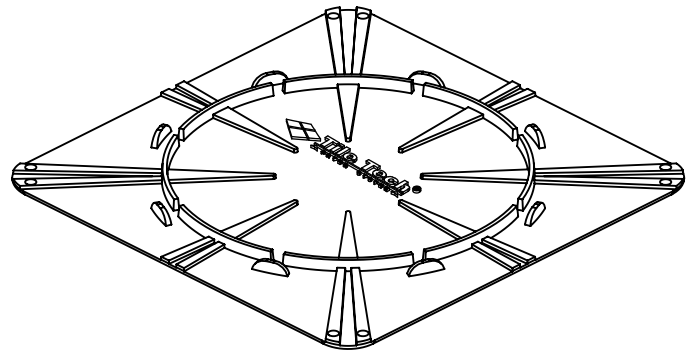
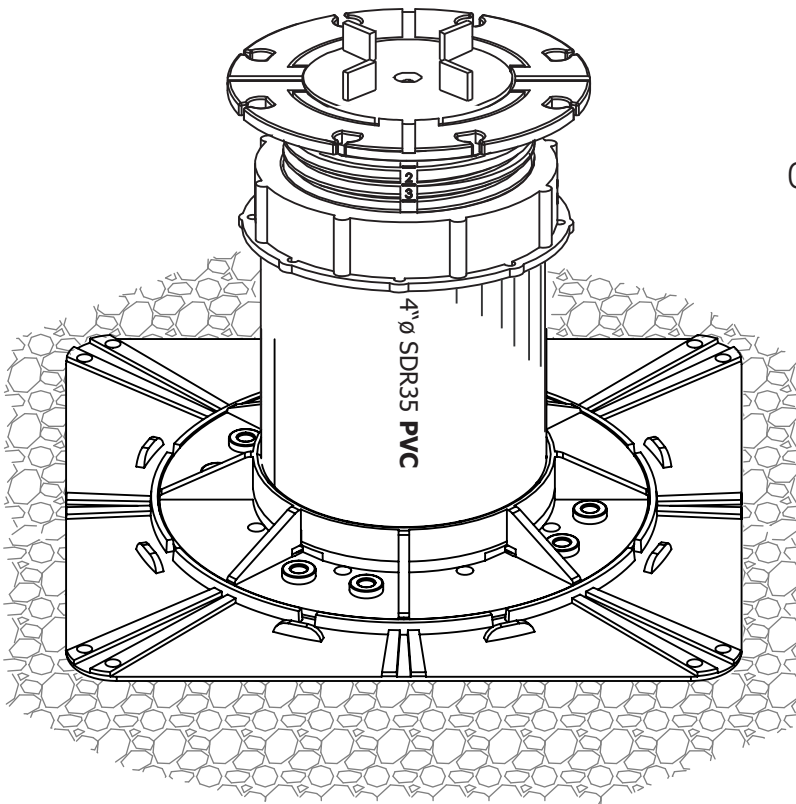
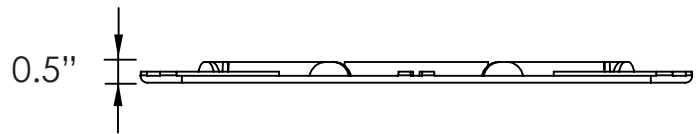
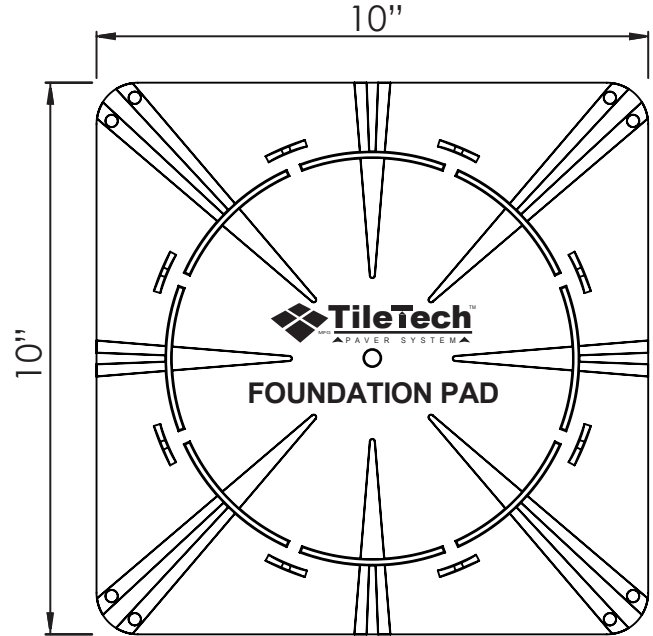


FOUNDATION-PAD™ & PEDESTAL APPLICATION

FOUNDATION PAD DETAILS

National Distribution Tel: 213-380-5560
Toll Free: 888-380-5575 Fax: 213-380-5561

THE TILE TECH FOUNDATION-PAD™ IS USED DIRECTLY UNDER OUR ADJUSTABLE PEDESTALS SYSTEMS FOR ON GRADE (COMPACTED SAND AND GRAVEL) APPLICATIONS. THE FOUNDATION PADS PROVIDE A 10" X 10" LARGER LOAD BEARING SURFACE AREA TO PROTECT THE BASE OF THE PEDESTALS FROM SINKING INTO THE COMPACTED GRAVEL BASE. IN SEISMIC ZONES DRIVE TWO (2x) 1/4" DIAMETER X 8" LONG GALVANIZED SPIKES INTO EACH CORNER OF THE FOUNDATION-PAD™. SPIKES MUST BE DRIVEN A MINIMUM 7" INTO THE GROUND.



GENERAL NOTES: APPLY TO ALL OF THE ABOVE PRODUCTS

1. INSTALLATION MUST BE COMPLETED IN ACCORDANCE WITH TILE TECH PAVERS PRODUCT SPECIFICATIONS.
2. DRAWING NOT TO SCALE.
3. CONTRACTOR'S NOTE: FOR PRODUCT AND COMPANY INFORMATION VISIT www.TILETECHPAVERS.com