

Tile TechTM
PAVER SYSTEM

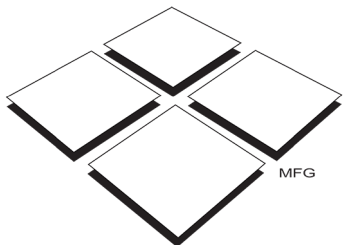
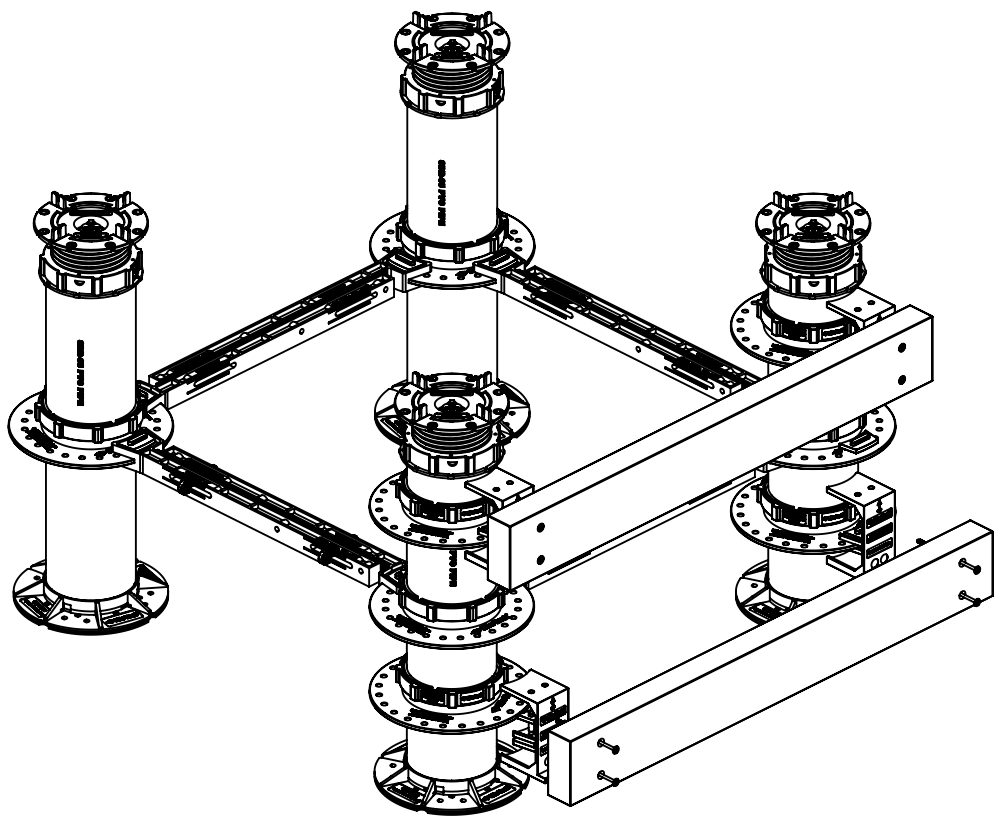
PROPRIETARY AND CONFIDENTIAL
INFORMATION CONTAINED IN THIS DRAWING IS THE SOLE PROPERTY OF:
Tile Tech Inc.
ANY REPRODUCTION IN PART OR AS A WHOLE WITHOUT THE WRITTEN PERMISSION OF:
Tile Tech Inc - STRICTLY PROHIBITED

		UNLESS OTHERWISE SPECIFIED:	NAME	DATE
		DIMENSIONS ARE IN INCHES TOLERANCES: FRACTIONAL ± 1/64 ANGULAR: MACH ± .5 BEND ± .05 TWO PLACE DECIMAL ± .02 THREE PLACE DECIMAL ± .005	DRAWN Ronnie Tabibnia	05/13/21
		INTERPRET GEOMETRIC TOLERANCING PER:	CHECKED	
		MATERIAL	ENG APPR.	
		FINISH	MFG APPR.	
NEXT ASSY	USED ON		Q.A.	
APPLICATION		DO NOT SCALE DRAWING	COMMENTS:	

Tile Tech Inc

TITLE:

SIZE A	DWG. NO.	REV
SCALE: 1:2	WEIGHT:	SHEET 1 OF 1



Tile Tech™
▲ P A V E R S Y S T E M ▲

PROPRIETARY AND CONFIDENTIAL
INFORMATION CONTAINED IN THIS DRAWING IS THE SOLE PROPERTY OF:
Tile Tech Inc.
ANY REPRODUCTION IN PART OR AS A WHOLE WITHOUT THE WRITTEN PERMISSION OF:
Tile Tech Inc - STRICTLY PROHIBITED

		UNLESS OTHERWISE SPECIFIED:		NAME	DATE	Tile Tech Inc		
		DIMENSIONS ARE IN INCHES TOLERANCES: FRACTIONAL ± 1/64 ANGULAR: MACH ± .5 BEND ± .05 TWO PLACE DECIMAL ± .02 THREE PLACE DECIMAL ± .005	DRAWN	Ronnie Tabibnia	05/13/21			
		INTERPRET GEOMETRIC TOLERANCING PER:	CHECKED			SIZE		
		MATERIAL	ENG APPR.			DWG. NO.		REV
		FINISH	MFG APPR.			A		
NEXT ASSY	USED ON		Q.A.			SCALE: 1:9		WEIGHT:
			COMMENTS:					SHEET 1 OF 1
APPLICATION		DO NOT SCALE DRAWING						

5

4

3

2

1

