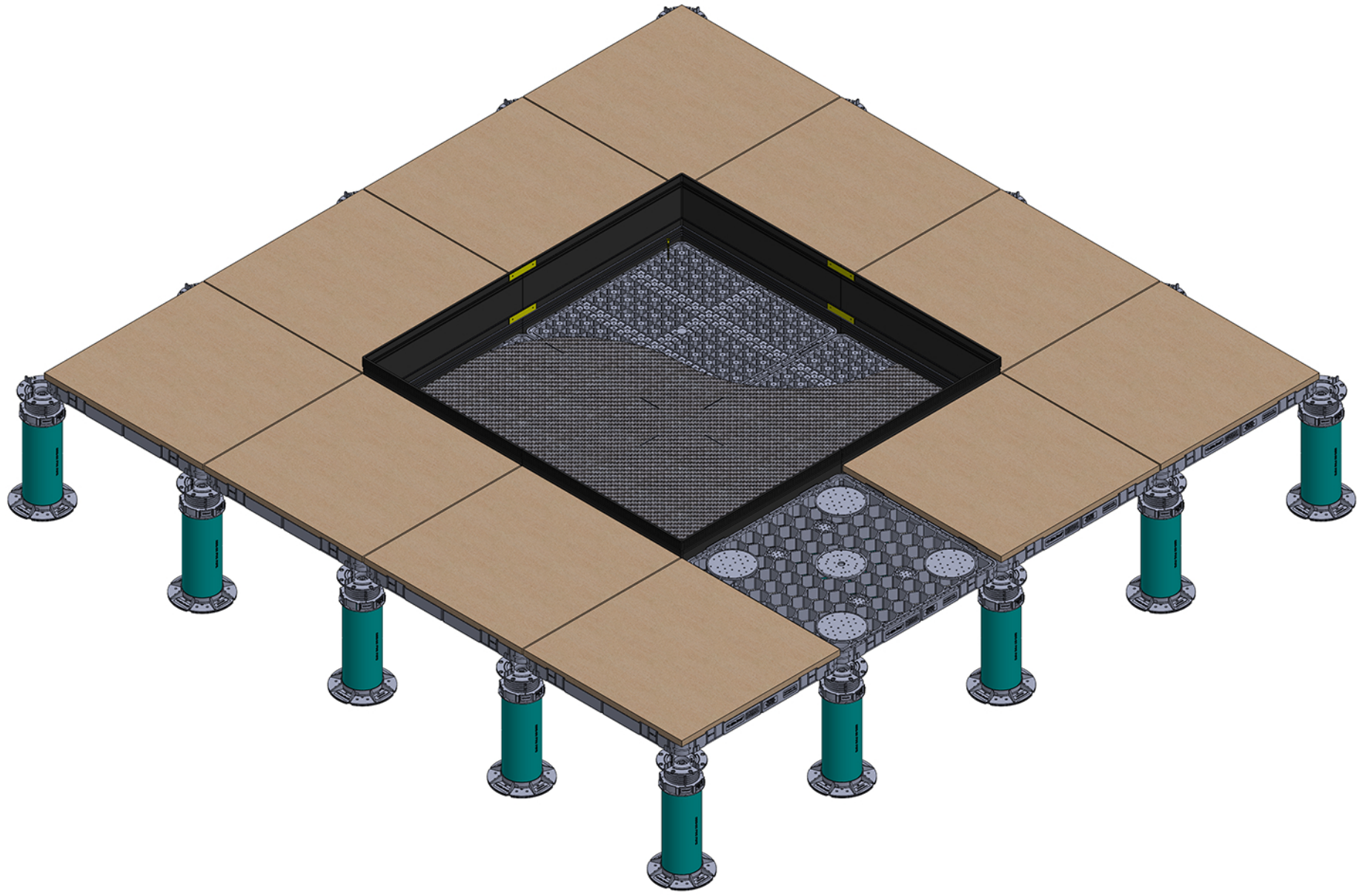
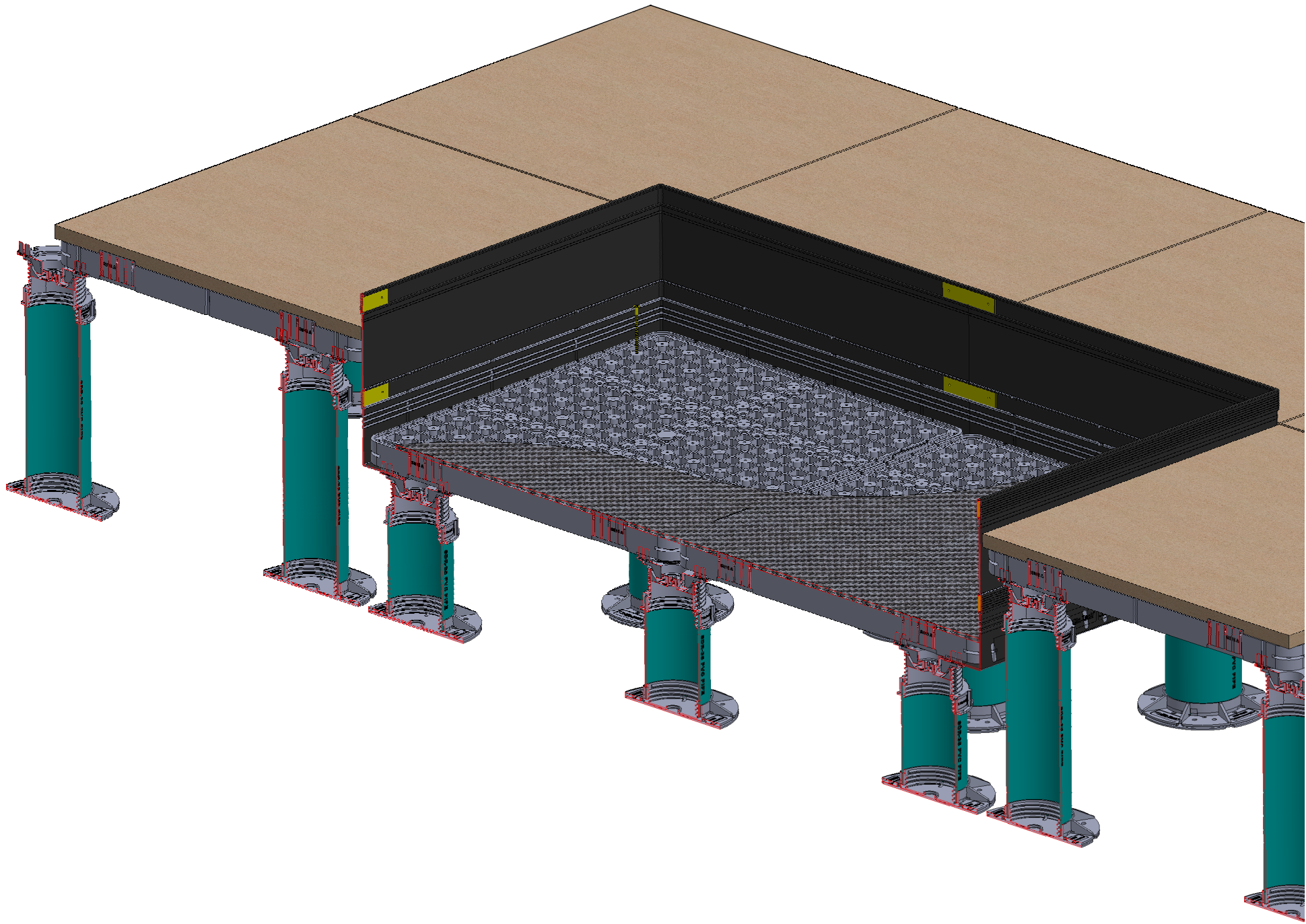


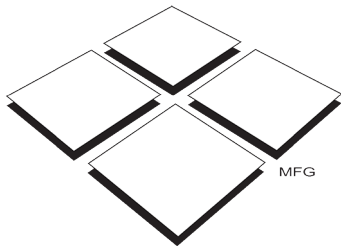
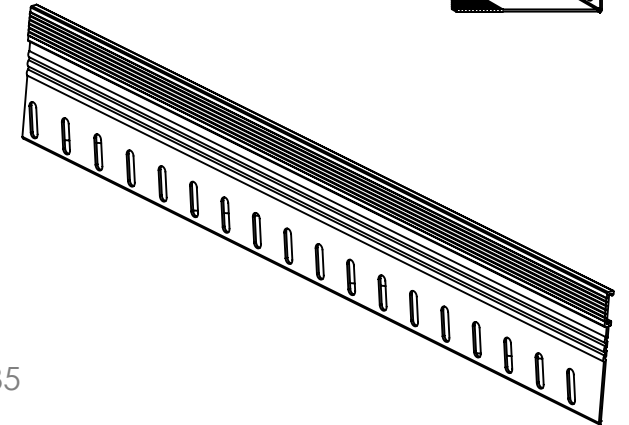
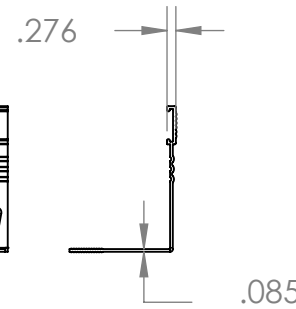
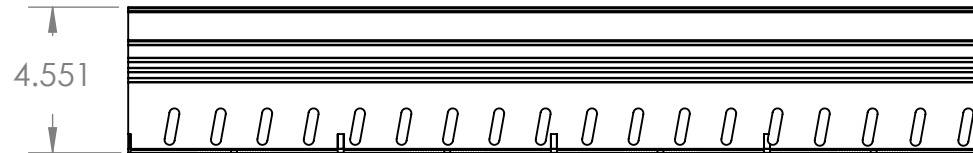
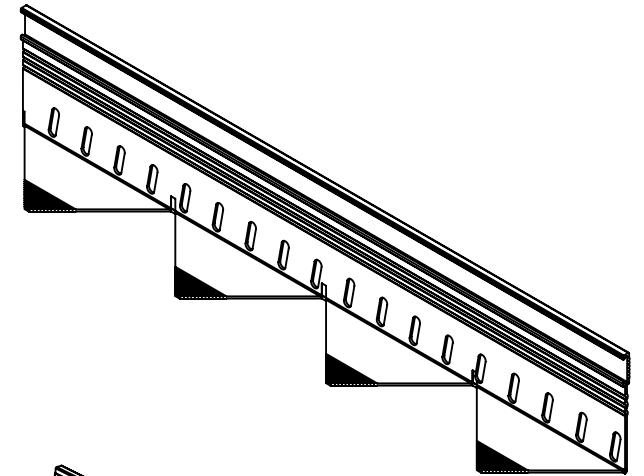
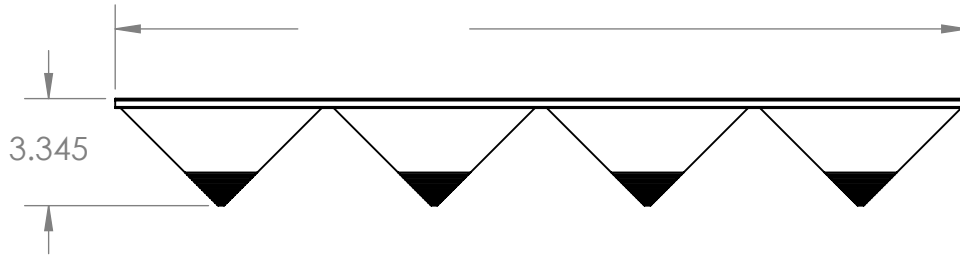
Tile Tech™
▲ P A V E R S Y S T E M ▲

PROPRIETARY AND CONFIDENTIAL
INFORMATION CONTAINED IN THIS DRAWING IS THE SOLE PROPERTY OF:
Tile Tech Inc.
ANY REPRODUCTION IN PART OR AS A WHOLE WITHOUT THE WRITTEN PERMISSION OF:
Tile Tech Inc - STRICTLY PROHIBITED

		UNLESS OTHERWISE SPECIFIED:		NAME	DATE	Tile Tech Inc	
		DIMENSIONS ARE IN INCHES	DRAWN	Ronnie Tabibnia	05/13/21	TITLE:	
		TOLERANCES:	CHECKED				
		FRACTIONAL ± 1/64	ENG APPR.				
		ANGULAR: MACH ± .5 BEND ± .05	MFG APPR.				
		TWO PLACE DECIMAL ± .02	Q.A.				
		THREE PLACE DECIMAL ± .005	COMMENTS:				
		INTERPRET GEOMETRIC TOLERANCING PER:				SIZE	DWG. NO.
		MATERIAL				A	
		FINISH					REV
NEXT ASSY	USED ON						
APPLICATION		DO NOT SCALE DRAWING				SCALE: 1:48	WEIGHT:
							SHEET 1 OF 1







Tile Tech™
PAVER SYSTEM

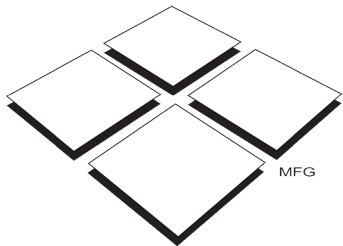
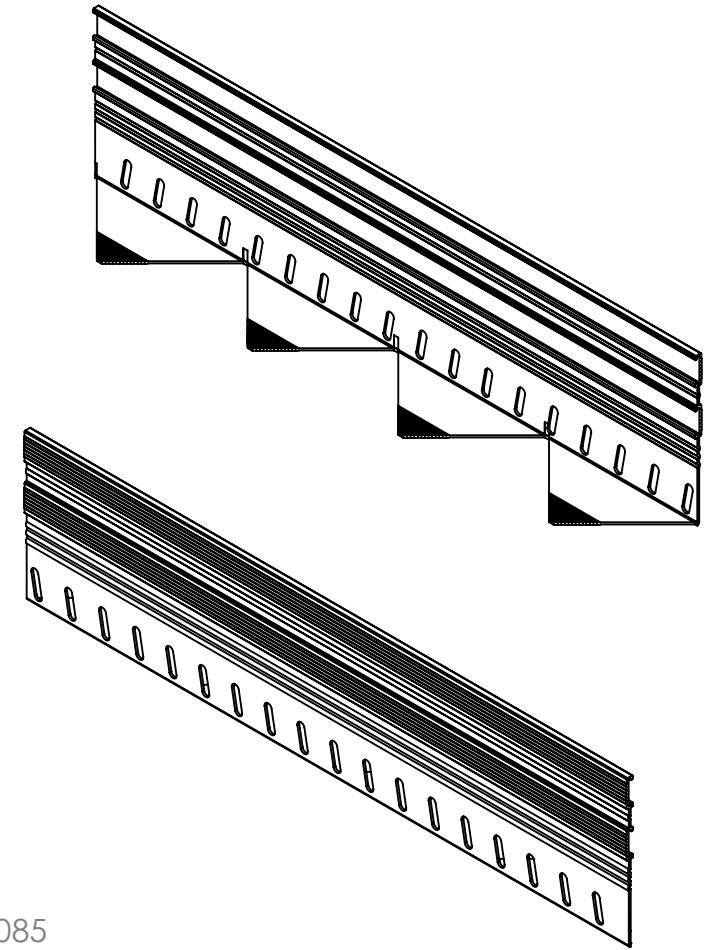
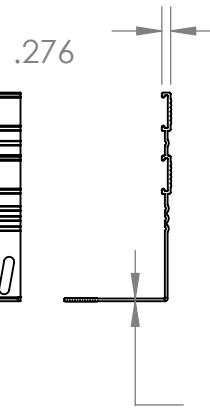
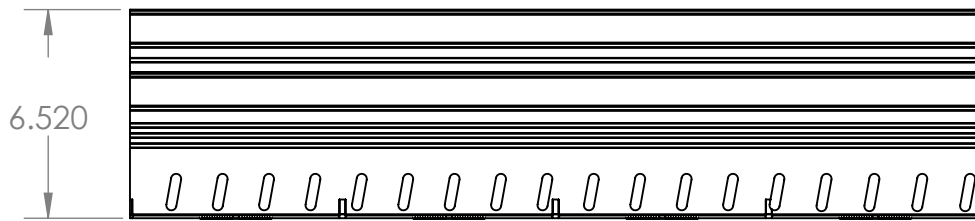
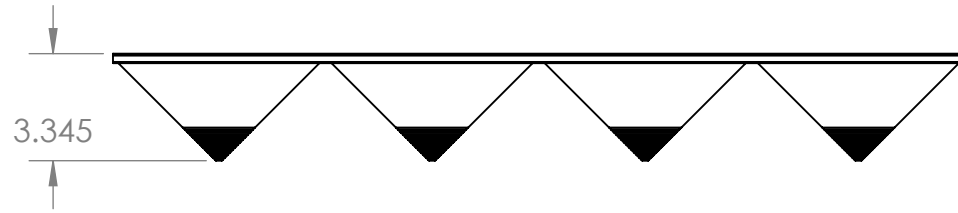
PROPRIETARY AND CONFIDENTIAL
INFORMATION CONTAINED IN THIS DRAWING IS THE SOLE PROPERTY OF:
Tile Tech Inc.
ANY REPRODUCTION IN PART OR AS A WHOLE WITHOUT THE WRITTEN PERMISSION OF:
Tile Tech Inc - STRICTLY PROHIBITED

		UNLESS OTHERWISE SPECIFIED:		NAME	DATE
		DIMENSIONS ARE IN INCHES	DRAWN	Ronnie Tabibnia	05/13/21
		TOLERANCES:	CHECKED		
		FRACTIONAL ± 1/64	ENG APPR.		
		ANGULAR: MACH ± .5 BEND ± .05	MFG APPR.		
		TWO PLACE DECIMAL ± .02	Q.A.		
		THREE PLACE DECIMAL ± .005	COMMENTS:		
		INTERPRET GEOMETRIC TOLERANCING PER:			
		MATERIAL			
		FINISH			
NEXT ASSY	USED ON				
APPLICATION		DO NOT SCALE DRAWING			

Tile Tech Inc

TITLE:

SIZE	DWG. NO.	REV
A		
SCALE: 1:6	WEIGHT:	SHEET 1 OF 1



Tile Tech™
PAVER SYSTEM

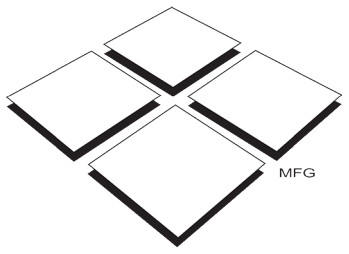
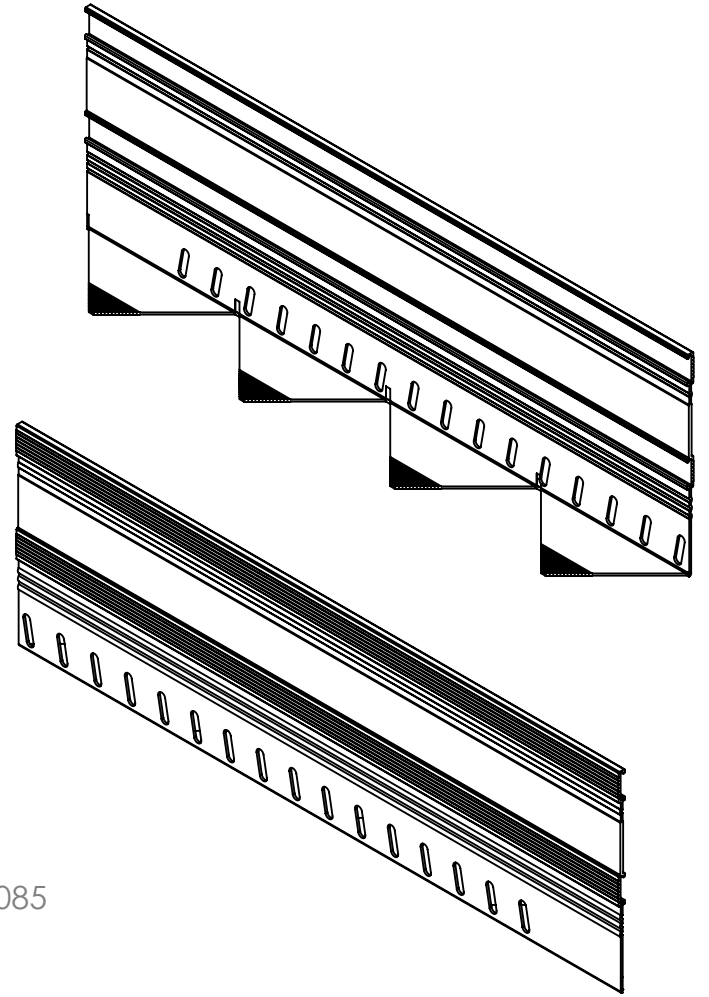
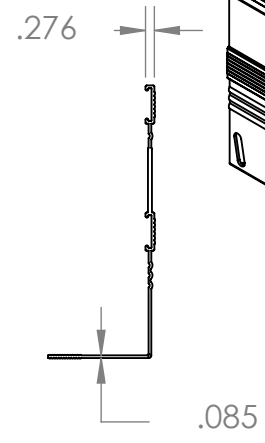
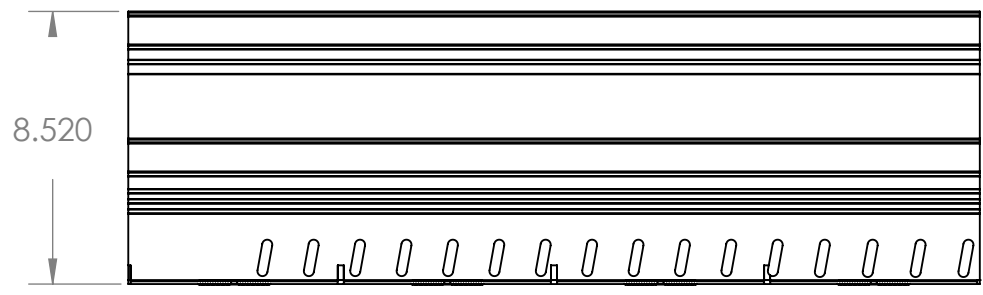
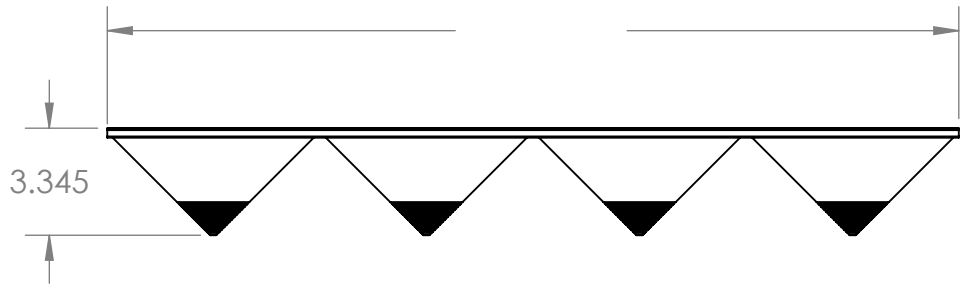
PROPRIETARY AND CONFIDENTIAL
INFORMATION CONTAINED IN THIS DRAWING IS THE SOLE PROPERTY OF:
Tile Tech Inc.
ANY REPRODUCTION IN PART OR AS A WHOLE WITHOUT THE WRITTEN PERMISSION OF:
Tile Tech Inc - STRICTLY PROHIBITED

		UNLESS OTHERWISE SPECIFIED:		NAME	DATE
		DIMENSIONS ARE IN INCHES	DRAWN	Ronnie Tabibnia	05/13/21
		TOLERANCES:	CHECKED		
		FRACTIONAL ± 1/64	ENG APPR.		
		ANGULAR: MACH ± .5 BEND ± .05	MFG APPR.		
		TWO PLACE DECIMAL ± .02	Q.A.		
		THREE PLACE DECIMAL ± .005	COMMENTS:		
		INTERPRET GEOMETRIC TOLERANCING PER:			
		MATERIAL			
NEXT ASSY	USED ON	FINISH			
APPLICATION		DO NOT SCALE DRAWING			

Tile Tech Inc

TITLE:

SIZE A	DWG. NO.	REV
SCALE: 1:6	WEIGHT:	SHEET 1 OF 1



Tile TechTM
 ▲ P A V E R S Y S T E M ▲

PROPRIETARY AND CONFIDENTIAL
 INFORMATION CONTAINED IN THIS DRAWING IS THE SOLE PROPERTY OF:
Tile Tech Inc.
 ANY REPRODUCTION IN PART OR AS A WHOLE WITHOUT THE WRITTEN PERMISSION OF:
Tile Tech Inc - STRICTLY PROHIBITED

		UNLESS OTHERWISE SPECIFIED:		NAME	DATE
		DIMENSIONS ARE IN INCHES	DRAWN	Ronnie Tabibnia	05/13/21
		TOLERANCES:	CHECKED		
		FRACTIONAL ± 1/64	ENG APPR.		
		ANGULAR: MACH ± .5 BEND ± .05	MFG APPR.		
		TWO PLACE DECIMAL ± .02	Q.A.		
		THREE PLACE DECIMAL ± .005	COMMENTS:		
		INTERPRET GEOMETRIC TOLERANCING PER:			
		MATERIAL			
		FINISH			
NEXT ASSY	USED ON				
APPLICATION		DO NOT SCALE DRAWING			

Tile Tech Inc		
TITLE:		
SIZE	DWG. NO.	REV
A		
SCALE: 1:6	WEIGHT:	SHEET 1 OF 1