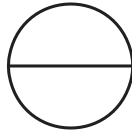




Tile Tech Inc.
Paving America one step at a time!



JOIST SUPPORT & PEDESTAL APPLICATION

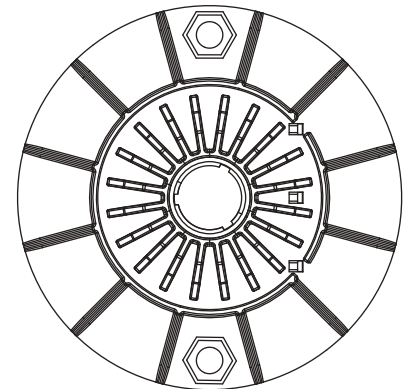
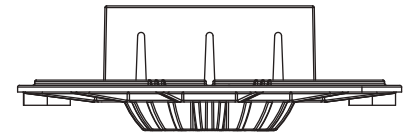
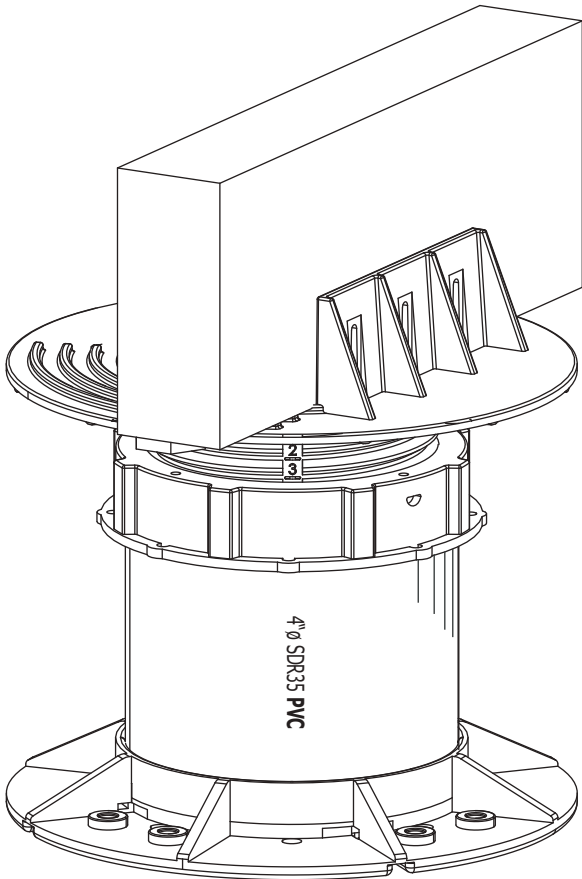
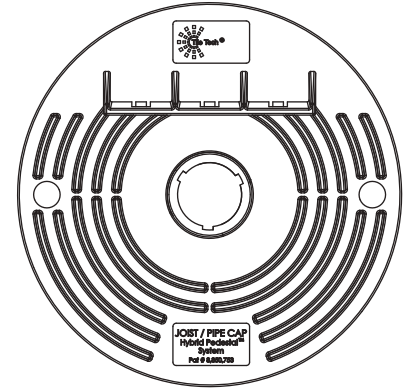
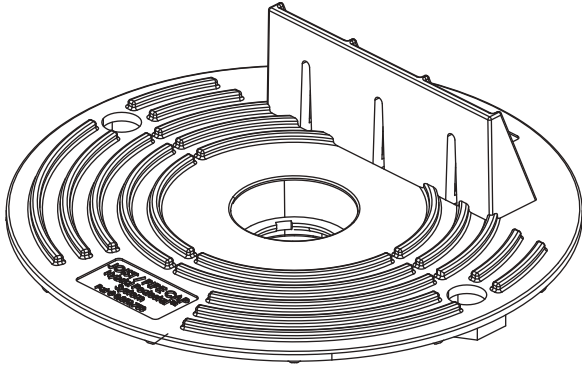
JOIST SUPPORT CAP DETAILS

National Distribution

Tel: 213-380-5560

Toll Free: 888-380-5575

Fax: 213-380-5561

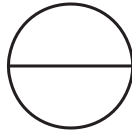


GENERAL NOTES: APPLY TO ALL OF THE ABOVE PRODUCTS

1. INSTALLATION MUST BE COMPLETED IN ACCORDANCE WITH TILE TECH PAVERS PRODUCT SPECIFICATIONS.
2. DRAWING NOT TO SCALE.
3. USE OF BUFFER PADS IS MANDATORY.
4. CONTRACTOR'S NOTE: FOR PRODUCT AND COMPANY INFORMATION VISIT www.TILETECHPAVERS.com



Tile Tech Inc.
Paving America one step at a time!

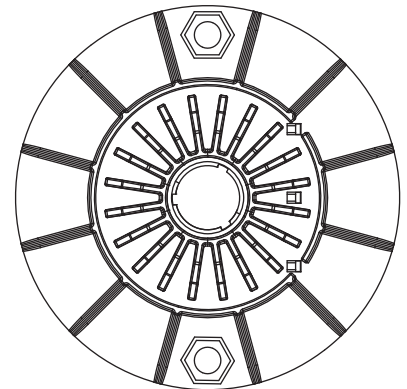
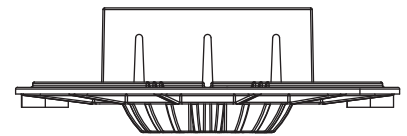
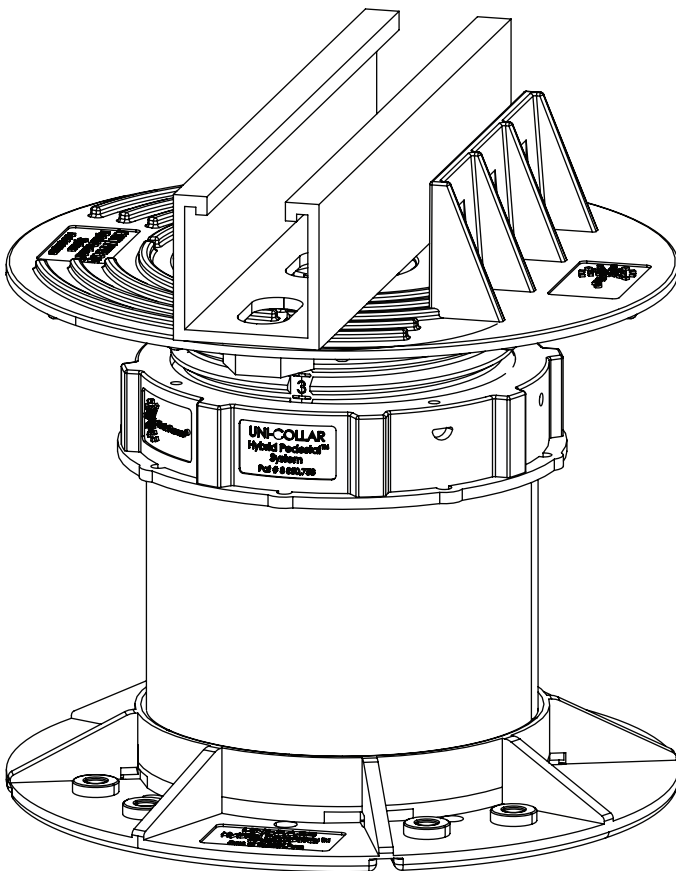
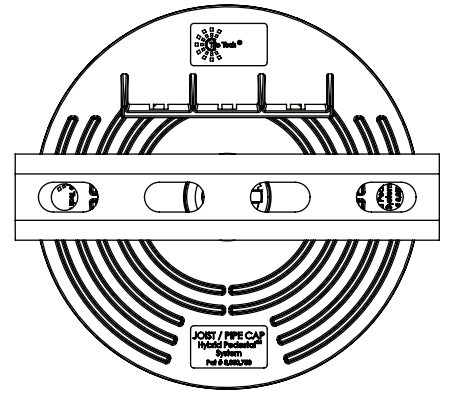
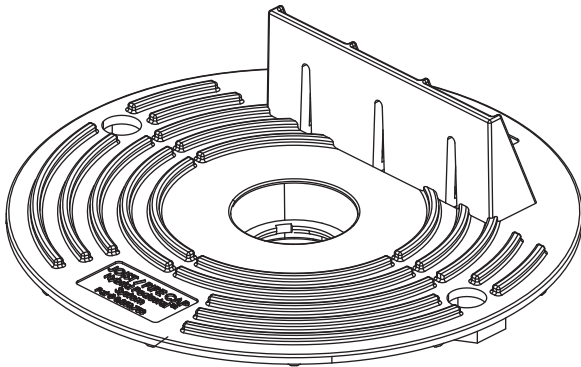


PIPE SUPPORT & PEDESTAL APPLICATION

JOIST SUPPORT CAP DETAILS

National Distribution
Toll Free: 888-380-5575

Tel: 213-380-5560
Fax: 213-380-5561



GENERAL NOTES: APPLY TO ALL OF THE ABOVE PRODUCTS

1. INSTALLATION MUST BE COMPLETED IN ACCORDANCE WITH TILE TECH PAVERS PRODUCT SPECIFICATIONS.
2. DRAWING NOT TO SCALE.
3. USE OF BUFFER PADS IS MANDATORY.
4. CONTRACTOR'S NOTE: FOR PRODUCT AND COMPANY INFORMATION VISIT www.TILETECHPAVERS.com